



TRU STREAM7 INLINE PORT WITH VARIVENT® CONNECTION

INTRODUCING THE TRU STREAM7 INLINE PORT WITH VARIVENT® CONNECTION!

Aseptically sample using the QualiTru TruStream7 Inline Port at a Varivent connection point. Have confidence in your product quality and process with accurate sample data.



TESTIMONIAL

I would recommend the TruStream7 Inline port due to ease of use and peace of mind knowing that a critical sampling point can be done quickly and without error.

SKANDERBORG BRYGHUS, DANISH BREWERY



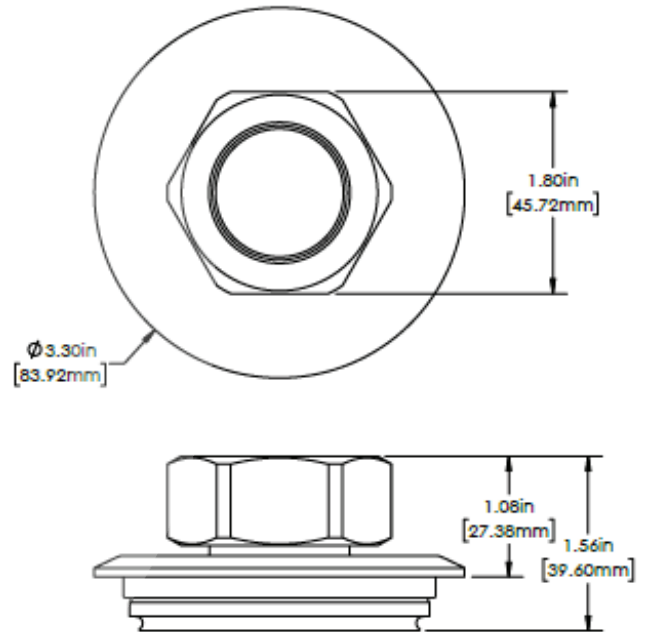
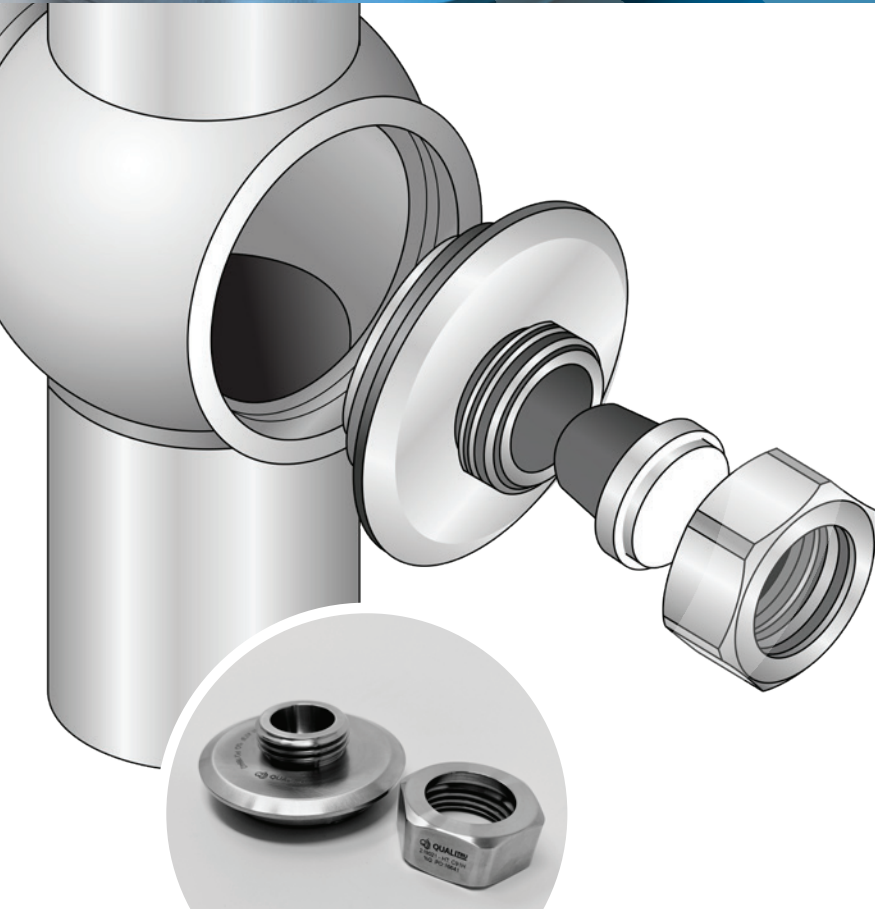
Leaders in the science of aseptic
and representative sampling.
CALL TODAY TO LEARN MORE!



TECHNICAL SPECIFICATIONS

TruStream7 Sanitary Inline Inspection Port (with Hex Nut and Dust Cover) PN 212113

Compatible with Varivent®
Type N, DN 40 to DN 162, 1.5" to 6"



Material: 316L Stainless Steel / EN 1.4404
Roughness (Internal): Ra $\leq 20 \mu\text{m}$. / Ra 0.5 μm .
3-A 63-04

Component Packaging	Part Number	Length	Width	Weights	Shipping Weights
TruStream7	214500	4.75" / 120.7mm	4.25" / 108mm	2.25" / 57.2mm	1 lb. / 0.5kg

OUR SYSTEM IS AS EASY AS 1-2-3-4!



Your test result is only as accurate as the sample.
CALL TODAY TO LEARN MORE!

